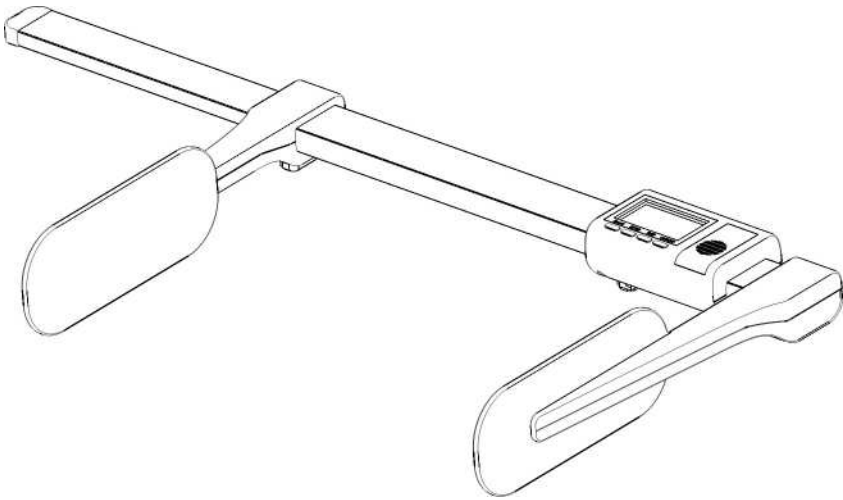


---

charder®

# HM80D DigiStad

Height Measurement



*Please keep the instruction manual at hand all the time for future reference.*

---

## **TABLE OF CONTENTS**

PREFACE.....	2
SAFETY INSTRUCTION .....	2
CLEANING.....	3
MAINTENANCE.....	3
WARRANTY .....	4
KEY FUNCTION.....	5
SPECIFICATION .....	5
TROUBLE SHOOTING .....	6
CALIBRATION .....	6
ASSEMBLY WITH REMOVABLE BABY TRAY .....	8

## PREFACE

Thank you for choosing CHARDER MEDICAL product. All features of this product were designed to state of the art and are optimized for simple and straightforward use. If you have any queries or experience any problems not addressed in the operating instructions, please contact your CHARDER MEDICAL service partner, or visit us on the Internet at [www.chardermedical.com](http://www.chardermedical.com)

## SAFETY INSTRUCTION



Before putting the device into use, please read with care the information given in the Operating Instructions. They contain important instructions for installation, proper use and maintenance of the device.

The manufacturer shall not be liable for damages arising out of failure to heed the following instructions:

- ◆ When using electrical components under increased safety requirements, always comply with the appropriate regulations.
- ◆ Improper installation will render the warranty null and void.
- ◆ Ensure the voltage marked on the power supply unit matches your mains power supply.
- ◆ This device is designed for use indoors.
- ◆ Observe the permissible ambient temperatures for use
- ◆ The device meets the requirements for electromagnetic compatibility. Do not exceed the maximum values specified in the applicable standards.

**If you have any problem, please contact your local CHARDER MEDICAL service partner.**

---

## CLEANING

- ◆ We would recommend using alcohol based wipes or similar when cleaning the devices.
- ◆ Please do not use large amounts of water when cleaning the devices as this will cause damage to the devices electronics, you should also refrain from using corrosive liquids or high pressure washers.

## MAINTENANCE

The devices do not require any routine maintenance. However, we recommend checking the accuracy at regular intervals. The regularity of these checks is dependent on the level of use. If any inaccuracies occur, please contact your local dealer or CHARDER MEDICAL service partner.

## WARRANTY

*A two-year warranty from date of delivery applies to defects attributable to poor materials or workmanship. All moveable parts batteries, cables, mains units, rechargeable batteries etc.- are excluded. Defects, which come under warranty, will be made good for the customer at no charge on production of the receipt. No further claims can be entertained. The costs of transport in both directions will be borne by the customer should the equipment be located anywhere other than the customer's premises. In the event of transport damage, claims under warranty can be honored only if the complete original packaging was used for any transport and the scale secured and attached in that packaging just as it was when originally packed. All the packaging should therefore be retained.*

*A claim under warranty will not be honored if the equipment is opened by persons not expressly authorized by Charder to do so.*

*We would ask our customers abroad to contact their local sales agent in the event of a warranty matter.*

PLEASE VISIT [WWW.CHARDERMEDICAL.COM](http://WWW.CHARDERMEDICAL.COM) FOR MORE INFORMATION.

## KEY FUNCTION

### ◆ON/OFF ◆UNIT ◆HOLD ◆RESET

#### ◆ON/OFF

Press ON/OFF key to switch on and off length rod measurement.

#### ◆UNIT

Press UNIT key to select measuring unit (**cm , inch , ft or**)

#### ◆HOLD

HOLD key is for user to memorize length reading. It is for user to check the reading again after measuring process. Press to enable function and press again to disable function.

#### ◆RESET

RESET key is for user to calibrate false reading. Slide right feet piece to the left at length of 35cm. Press RESET key to calibrate HM80D. LCD will display 35.0cm which means HM80D has been well calibrated.

## SPECIFICATION

Measuring range: 35 ~ 80cm /  $13\frac{3}{4}$  ~  $31\frac{1}{2}$  inch / **1ft  $1\frac{3}{4}$  inch ~2ft  $7\frac{1}{2}$  inch**

Graduations: 1mm /  $\frac{1}{16}$  inch

Dimensions (WxHxL): 29 x 7 x 62 cm

Weight: 700g

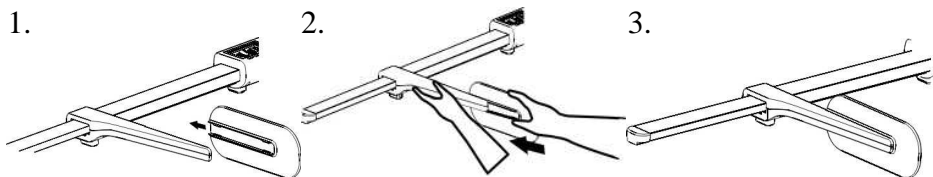
Accuracy:  $\pm 10$ mm

Temperature range: 5°C up to 35°C

No.	Items	Spec.	Qty.
1	HM80D	digital baby length	1
2	User manual	IN-1072 [8056]	1
3	Battery	AAA 1.5V	2
4	Bracket set for baby tray (option)	SS-5611	1
5	Bracket set for MS2400 (option)	SS-5621	1
6	Bracket set for MS5900 (option)	SS-6111	1

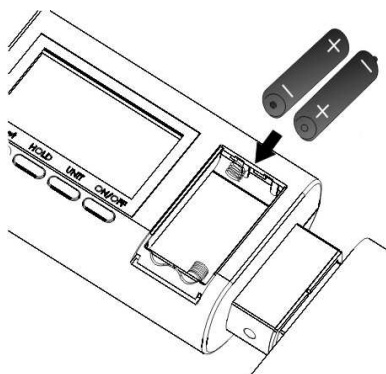
## TROUBLE SHOOTING

If feet piece is loose please re-assemble feet piece as below.

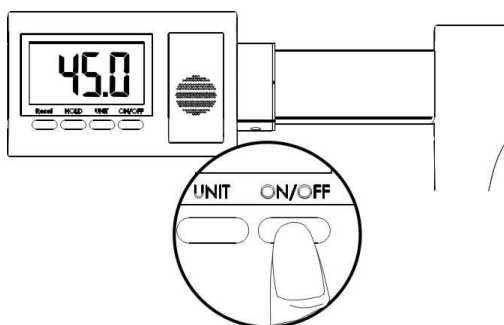


**!** If the reading shows error, please follow RESET procedure for calibration.

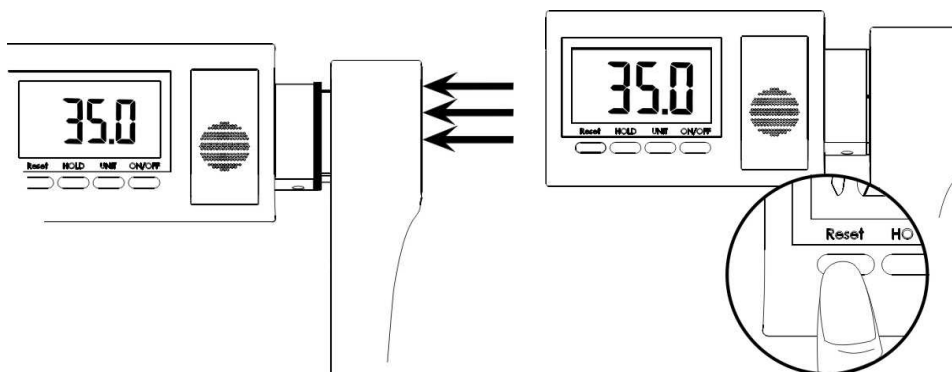
## CALIBRATION



Installing battery



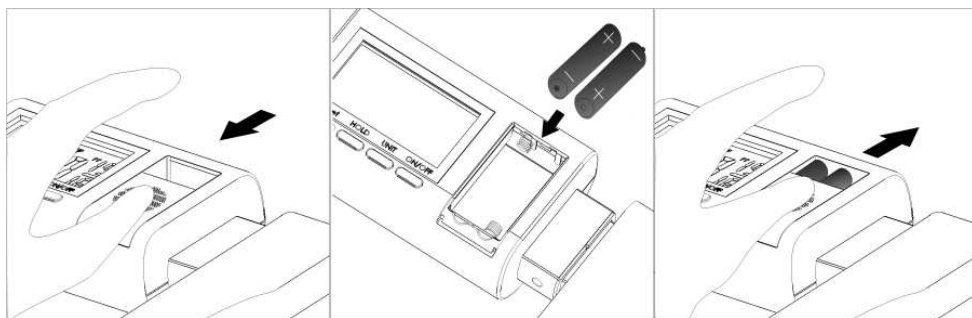
Press ON/OFF to switch on LCD.



Sliding feet piece left to the end.

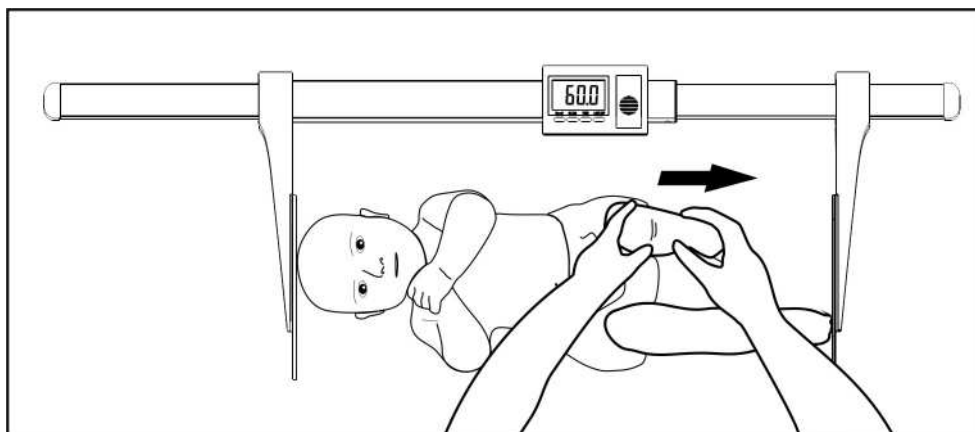
Press RESET button to calibrate at 35.0cm

## ▶ INSTALL BATTERY



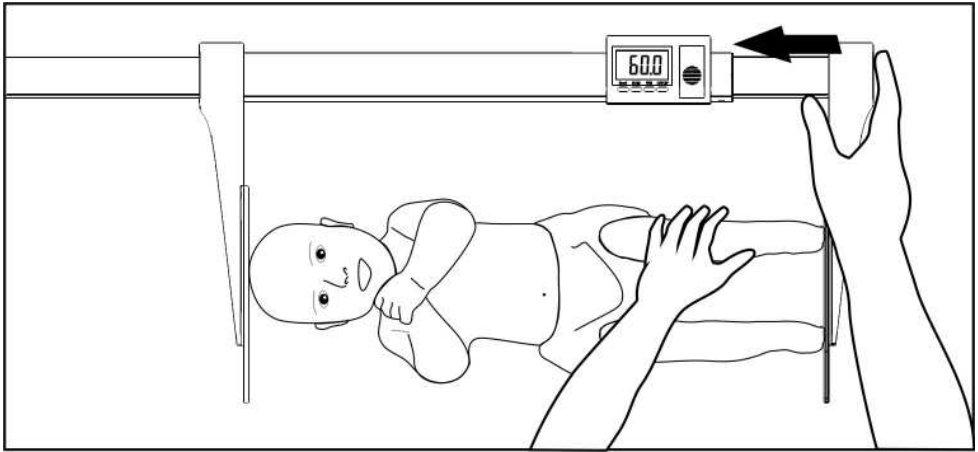
Installing battery AAA 1.5V x 2 in battery housing next to LCD display.

## ▶ HOW TO MEASURE



1. Lightly slide feet piece left against the sole of baby.

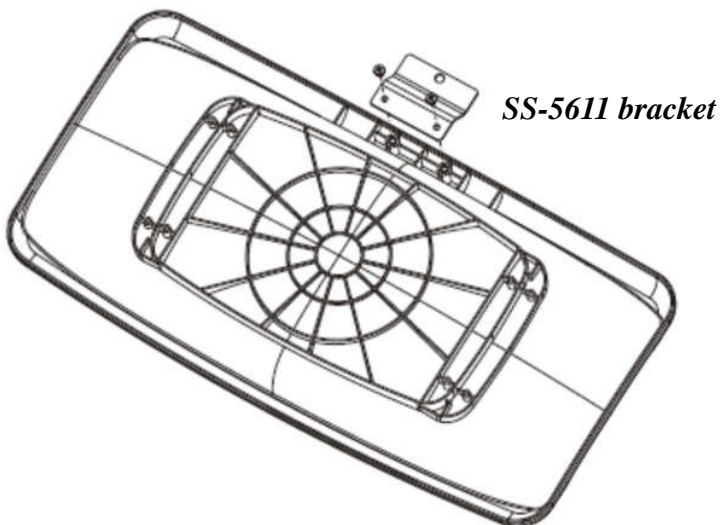




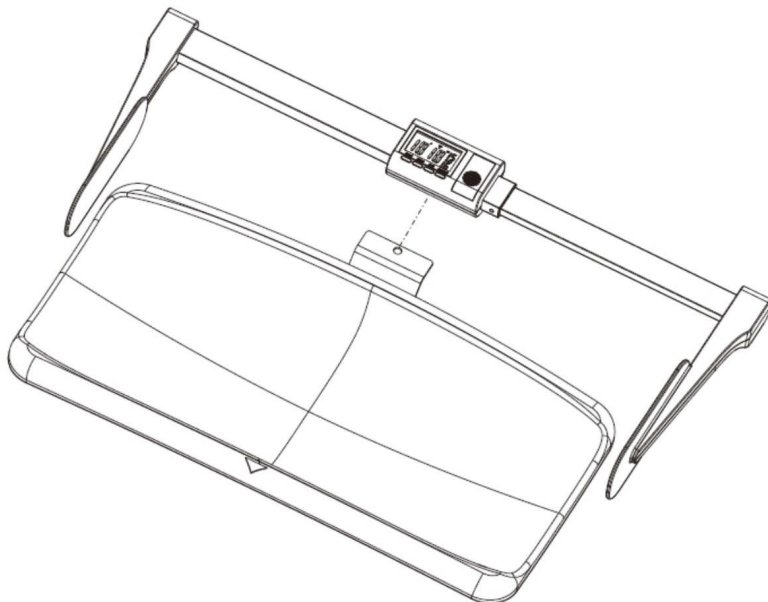
2. Sliding feet piece left till it touches the sole of baby.
3. The LCD is displaying length of baby.
4. Press HOLD button to memorize the reading of length.
5. Recording the reading.
6. Press HOLD again to disable the function and return to normal mode.

## ASSEMBLY WITH REMOVABLE BABY TRAY

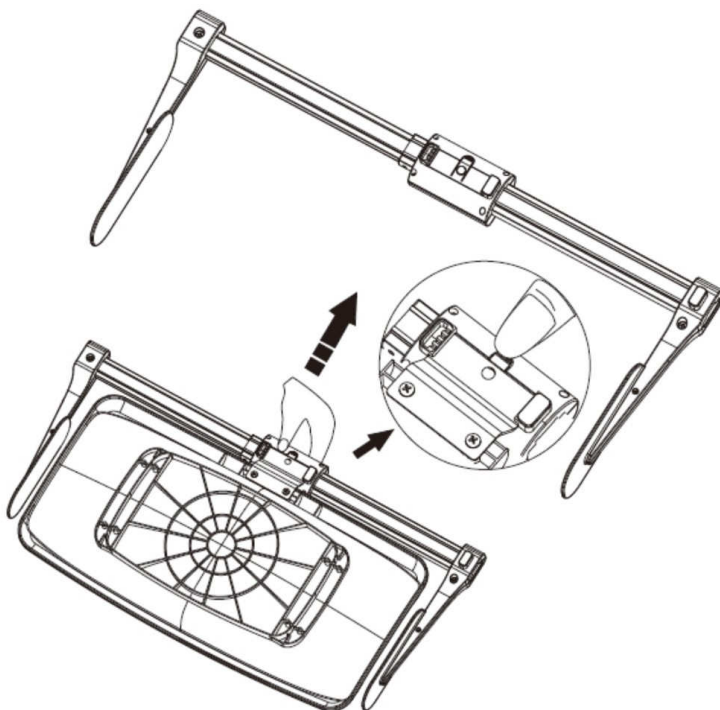
1. Fix bracket on the tray with two screws



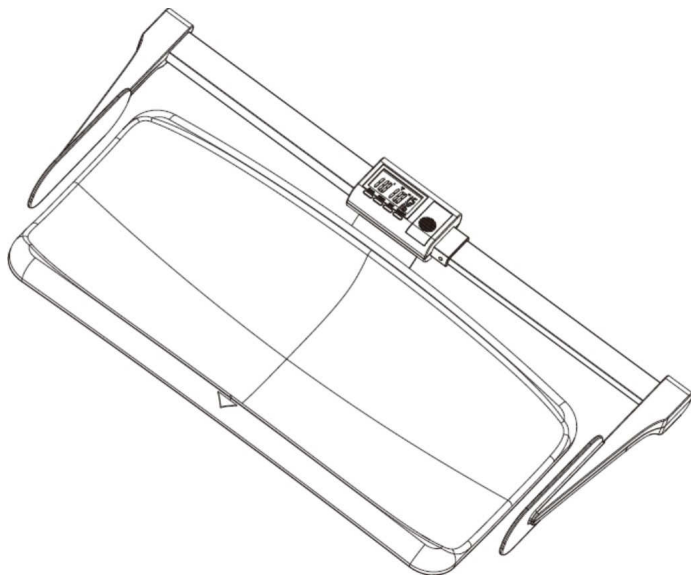
2. Assemble HM80D with scale together



3. Press the buckle to secure HM80D is well installed.

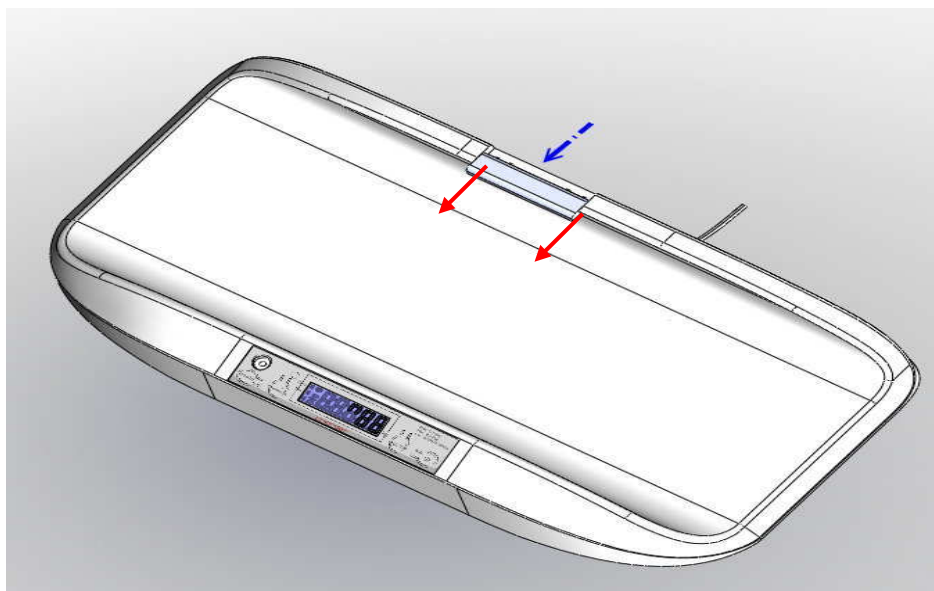


4. Assemble completed.

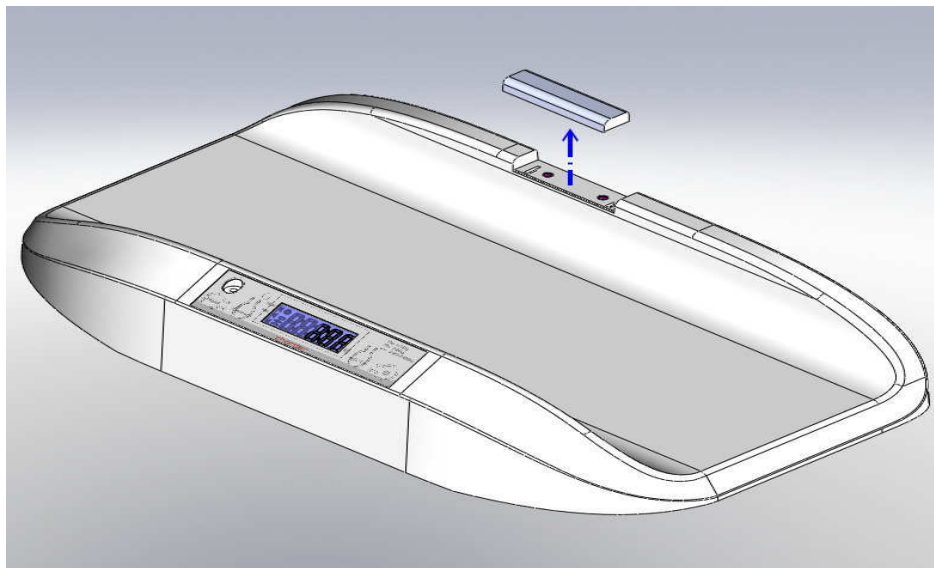


## ASSEMBLY WITH MS5900 BABY SCALE

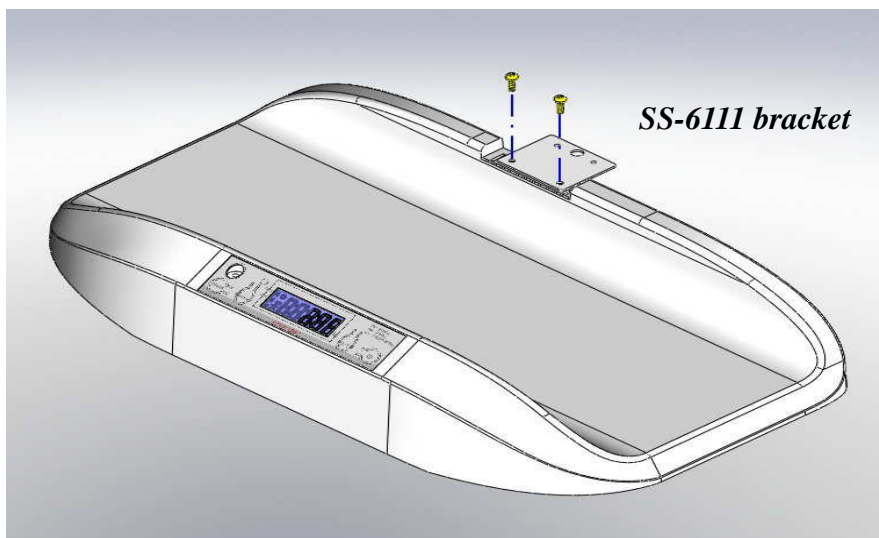
1. Remove bracket holder cover.



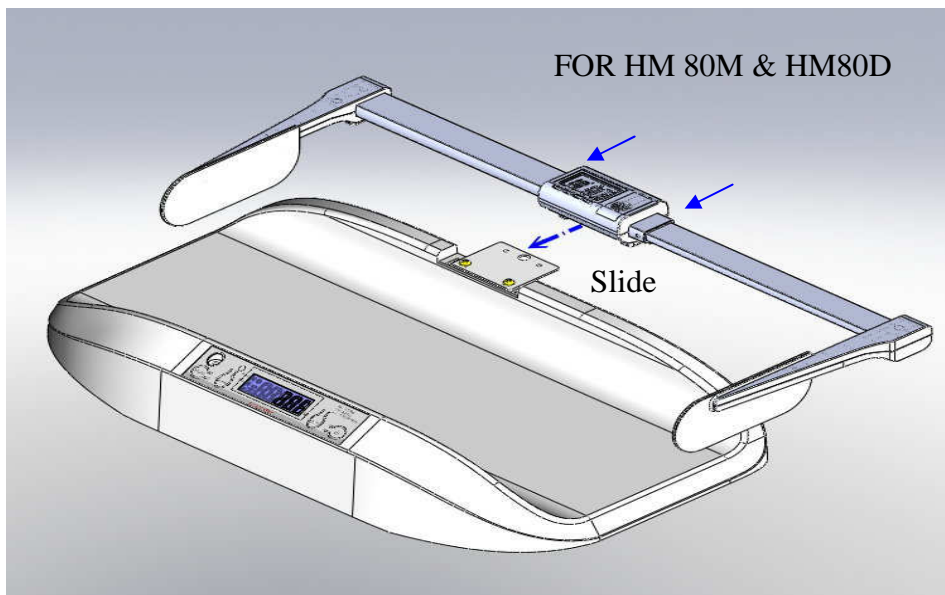
2. Take off bracket holder cover.



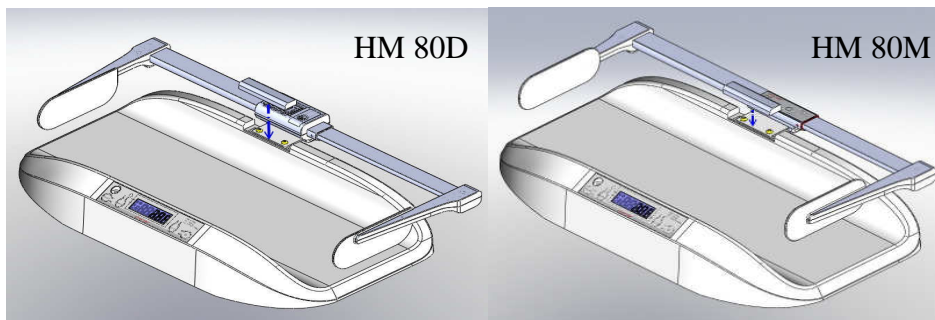
3. Fixing bracket with two screws.



4. Assemble baby height rod with the bracket carefully until click.



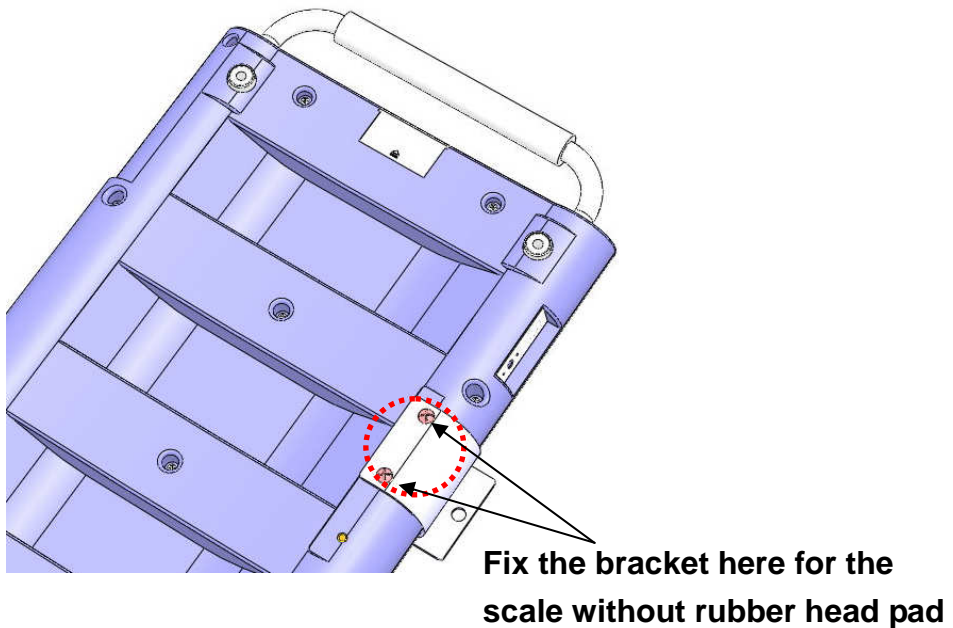
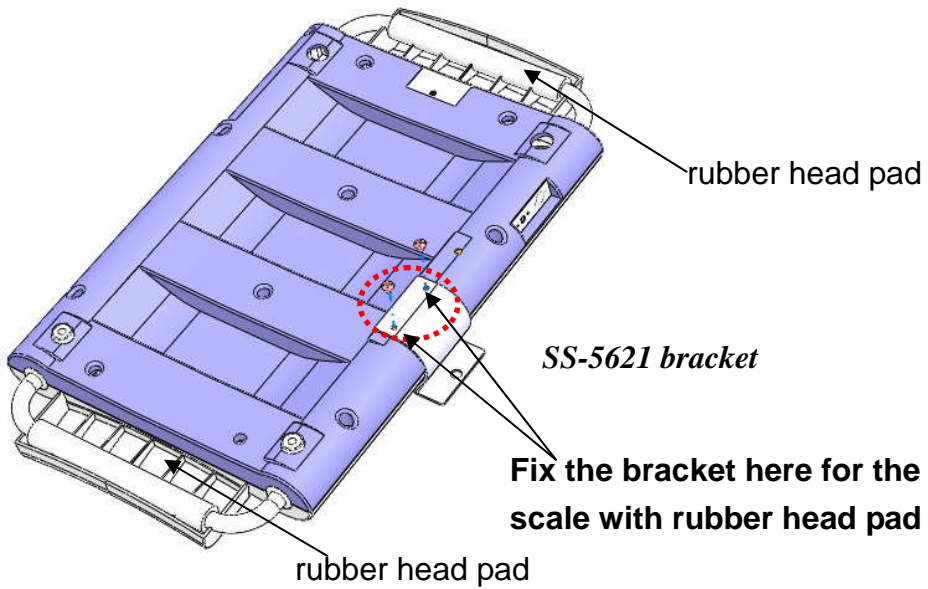
5. Install the bracket holder cover.



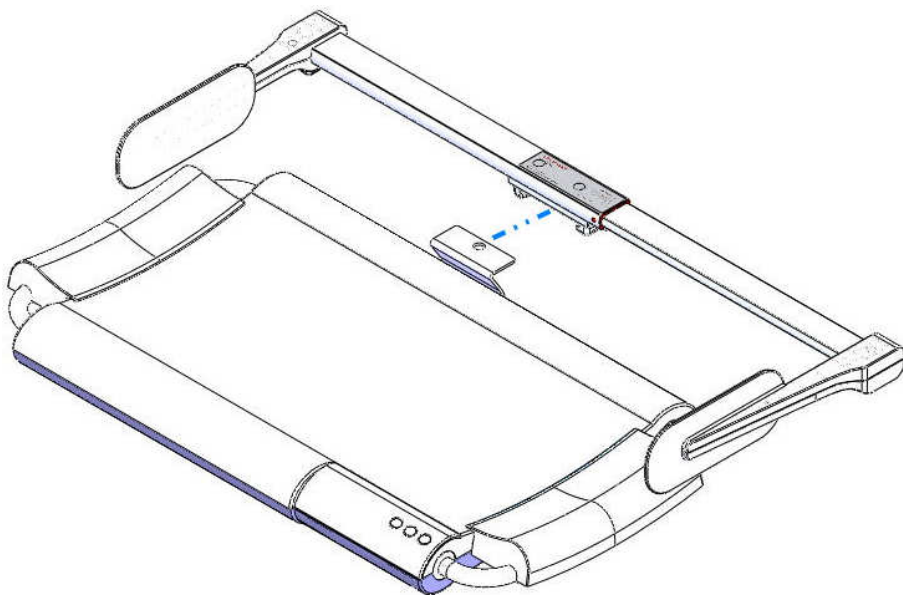


## ASSEMBLY WITH MS2400 BABY SCALE

1. Place the bracket and tighten the screw with screw driver.



2. Assemble baby height rod with the bracket carefully until click.





### **Manufacturer's Declaration of Conformity**

This product has been manufactured in accordance with the harmonized European standards, following the provisions of the below stated directives:

**Electro Magnetic Compatibility Directive 2014/30/EU**

**Low Voltage Directive 2014/35/EU**

### **FCC CLASS B Declaration of Conformity**

This device complies with the limits for a Class B digital device, pursuant to Part 15 of the FCC Rules

## **Manufactured by:**



**Charder Electronic Co., Ltd.**

No.103, Guozhong Rd., Dali Dist.,

Taichung City 412 ,Taiwan (R.O.C.)

**FDA no.: D072478**

IN-1072 [8056E] [08/2016](#)