
charder®



THERMAL PRINTER
TP 2100
USER & SERVICE MANUAL

Please keep the instruction manual at hand all the time for future reference.

TABLE OF CONTENTS

<i>SHOCK HAZARD WARNING</i>	1
<i>MEDIA WARNING</i>	1
<i>RELOADING HINT</i>	1
<i>PRINTER AND LED STATUS</i>	1
<i>GETTING TO KNOW YOUR PRINTER</i>	2
<i>HOW TO USE YOUR PRINTER</i>	3
<i>CHANGING THE PAPER ROLL</i>	4
<i>ASSEMBLY WITH MS49 SCALE SERIES</i>	5
<i>ASSEMBLE WITH MS39 SERIES COLUMN</i>	6
<i>TP2100 Assemble with MS39/MS49 column scale with height rod bracket</i>	7
<i>SPECIFICATION</i>	9
<i>ERROR MESSAGES</i>	10



SHOCK HAZARD WARNING

The printer and power supply should never be operated in a location where either one can get wet. Personal injury could result.

MEDIA WARNING

Always use high quality Charder approved paper roll. Approved supplies can be ordered from your dealer.

RELOADING HINT

If printer runs out of paper roll while printing, switch the power off and reload paper roll.

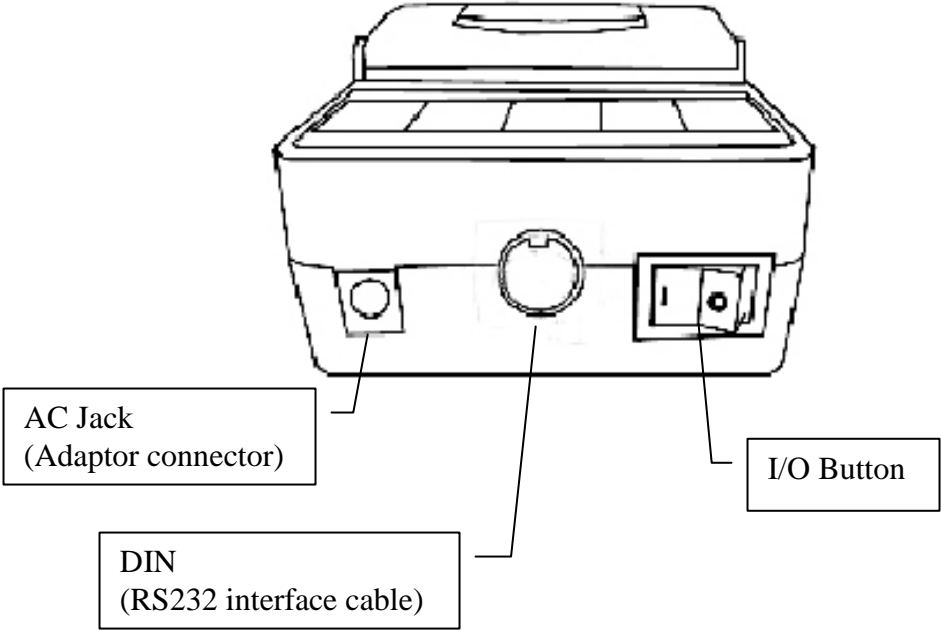
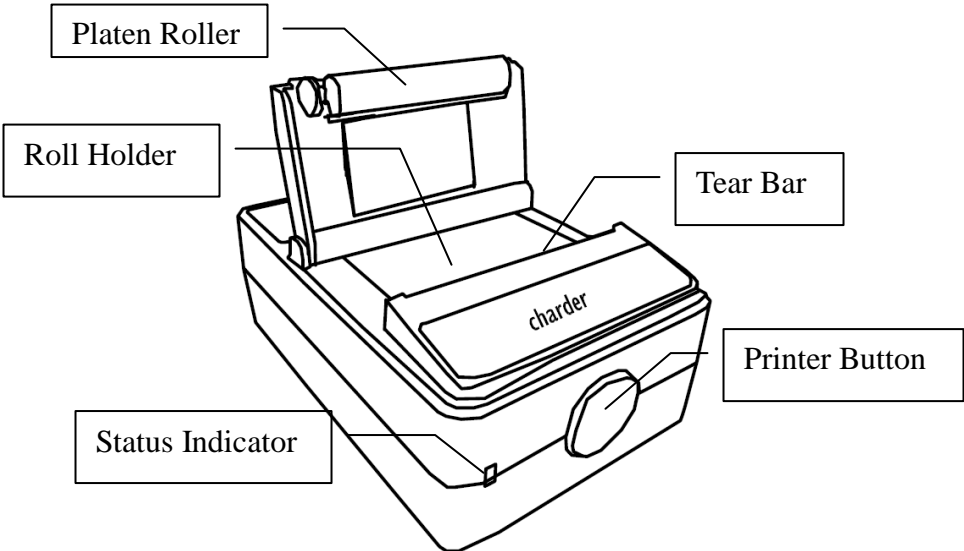
Power on and print again.

PRINTER AND LED STAUS

Printer status	Led status
OFF	OFF
ON	GREEN LIGHT BLINKS FOR 3 SECONDS → GREEN LIGHT IS ON CONSTANTLY (UNDER USING)
RUN OUT OF PAPER	RED LIGHT ON
VOLTAGE 6V±10% OVERLOAD/TOO LOW	RED LIGHT BLINKS
TEMP. CHECK / OVERHEAT	ORANGE LIGHT ON

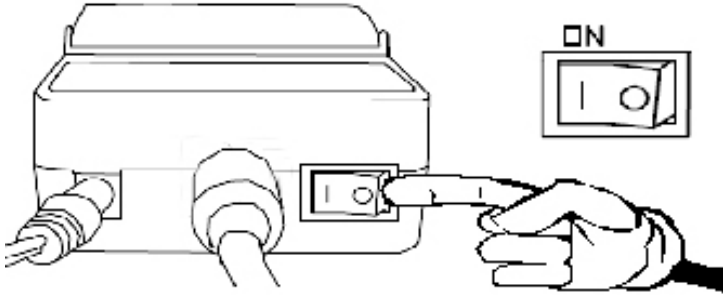
※ Green light keeps blinking when power-on or Green light keeps on (without blinking) when power-on is abnormal.

GETTING TO KNOW YOUR PRINTER



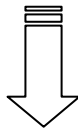
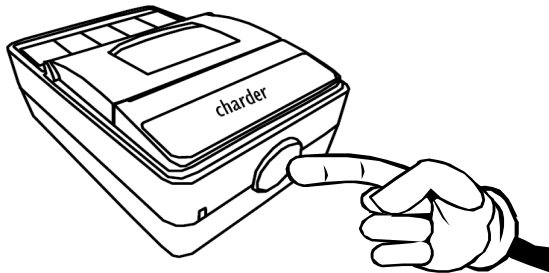
HOW TO USE YOUR PRINTER

Plug into AC Adaptor and interface cable. Press I/O button to power on the printer.



The TP-2100 can connect via RS232 port with Charder digital scale that has RS232 serial output capabilities, including any medical scale featuring the DP-34 & DP-37 series weight indicator.

Press PRINT key.



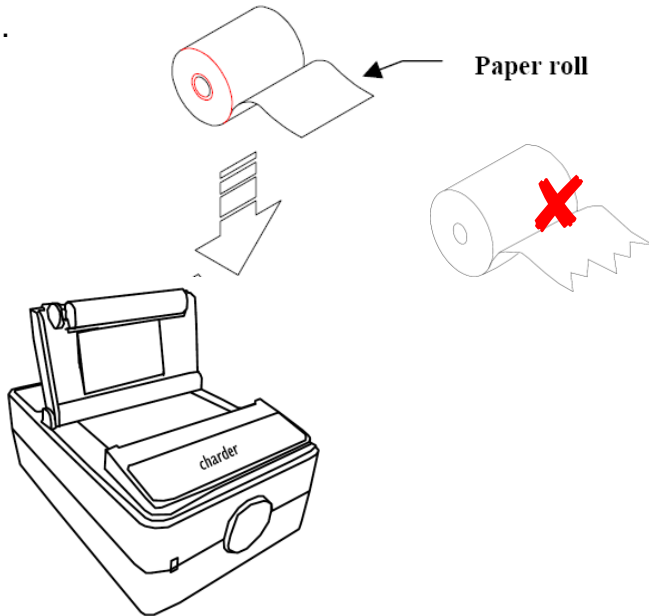
Print.



CHANGING THE PAPER ROLL

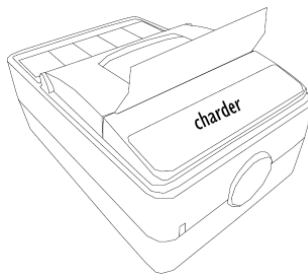
To change the paper rolls in a TP2100 printer as follows:

Open the upper cover and position the paper roll so that it rotates in the right direction.

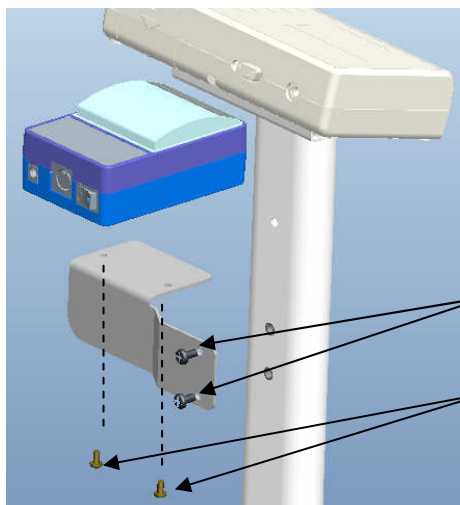


WARNING: Make sure the paper edge is straight before inserting it in the machine.

Feed the end of the paper roll through the printer cover and close the cover. The printer is ready to print.



ASSEMBLY WITH MS49 SCALE SERIES



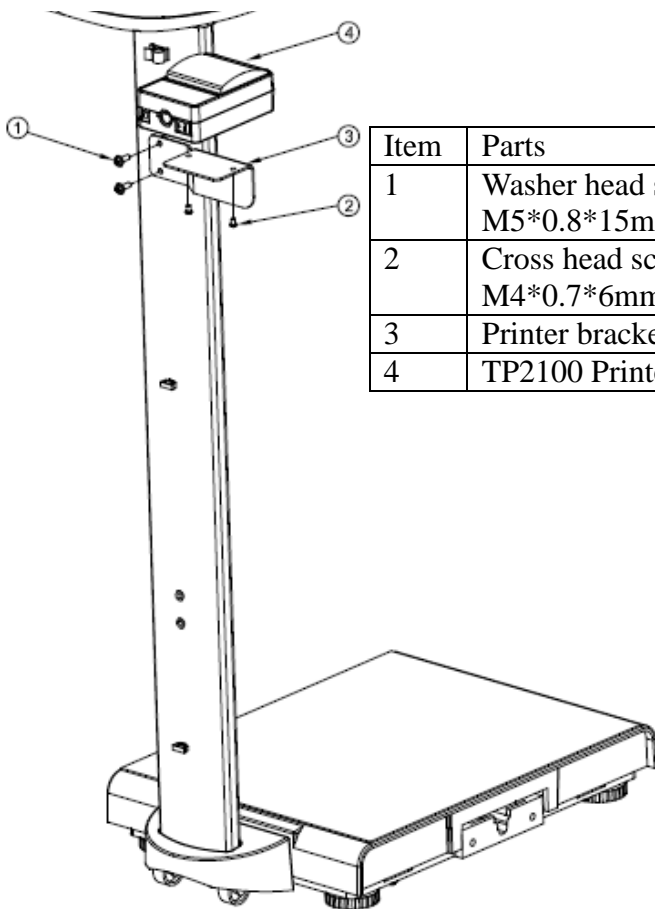
Washer head screw M5*0.8*15mm

Cross head screw M4*0.7*6mm

Item	Parts	Qty
1	Washer head screw M5*0.8*15mm	2
2	Cross head screw M4*0.7*6mm	2

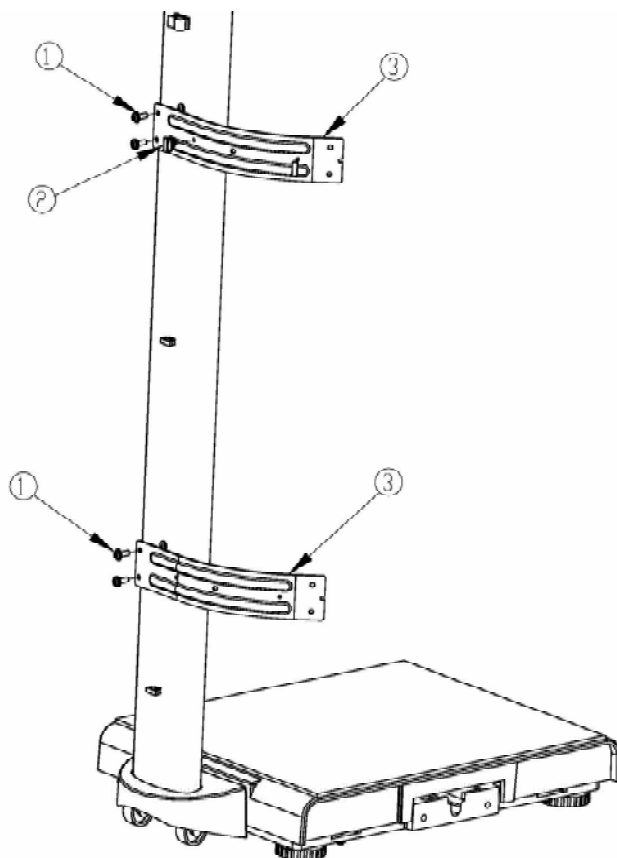


ASSEMBLE WITH MS39 SERIES COLUMN

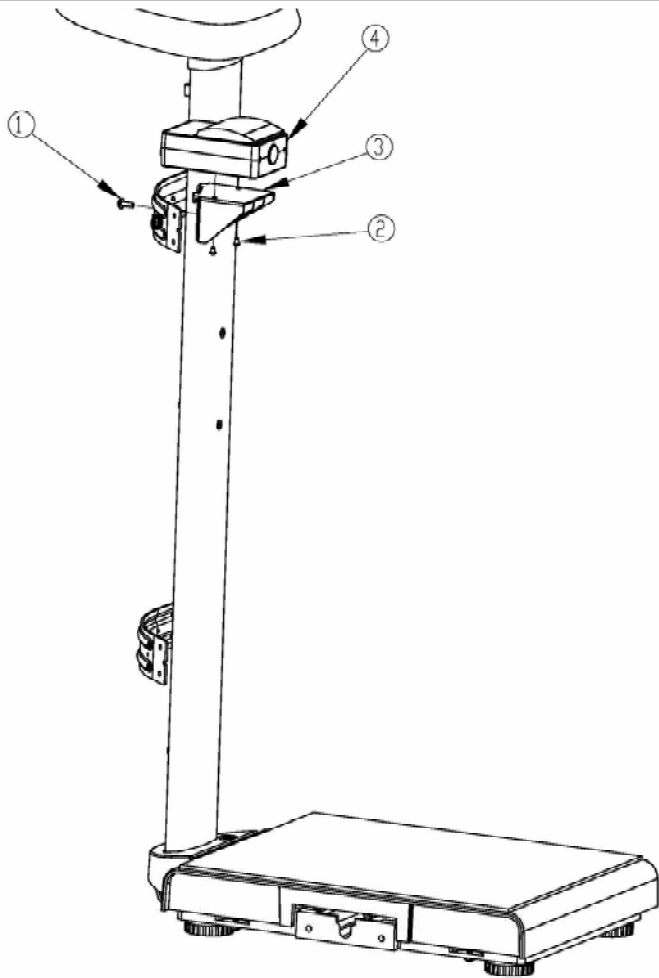


Item	Parts	Qty
1	Washer head screw M5*0.8*15mm	2
2	Cross head screw M4*0.7*6mm	2
3	Printer bracket	1
4	TP2100 Printer	1

TP2100 Assemble with MS39/MS49 column scale with height rod bracket



Item	Parts	Qty.
1	Washer head screw M5*0.8*11mm	4
2	Insulating sleeve	2
3	Bracket of HM-200D/HM-201D rod	2



Item	Parts	Description	Qty
1	M5*15L head screw	To fix printer support on bracket	1
2	Screws for printer bracket	To fix printer on the support	2
3	Printer support	To support printer.	1
4	TP2100 thermo printer	Thermo printer	1

SPECIFICATION

ITEM	SPECIFICATION
Printing method	Thermal dot line printing
Number of dots	384 dot/line
Resolution (dots/mm)	8 dot/mm
Printing width (mm)	48 mm
Max. paper thickness (um)	80 um
Paper	57.5±0.5 mm (W) x ψ30mm max
Paper loading	Easy loading
Printing speed (mm/s)	75 mm/s
Dimensions (L x W x H)	120 x 80 x 50mm
Operating temperature (°C)	0°C to 50°C (printer movement) 0°C to 40°C (printer)
Operating humidity (%)	20% to 85% (printer movement) 15% to 85% (printer)
Interface	Conform to RS232
Voltage range (adaptor)	12V 2A

Note: only use the Adaptor to drive this machine which is originally supplied with the TP-2100 or by Charder.

ERROR MESSAGES

Problem	Solution or Reason
Does not light when power switch is turned to ON (I) position.	Check power connections from AC outlet to power supply to printer.
Lights Green, but printer will not print.	Check interface cable connections from scale to printer. Make sure top cover is closed and locked.
Printer paper jam.	Reset the paper roll. Please refer " CHANGING THE PAPER ROLL " (page 4)
Blinks Green.	Paper roll is out. Reload a new source of paper roll so printer can continue printing.



Manufacturer's Declaration of Conformity

This product has been manufactured in accordance with the harmonized European standards, following the provisions of the below stated directives:

Electro Magnetic Compatibility Directive 2014/30/EU

Low Voltage Directive 2014/35/EU

FCC CLASS B Declaration of Conformity

This device complies with the limits for a Class B digital device, pursuant to Part 15 of the FCC Rules



Manufactured by: Charder Electronic Co., Ltd.
No.103, Guozhong Rd., Dali Dist., Taichung City 412 ,Taiwan
(R.O.C.)

IN-1151 [9099G] 06/2016